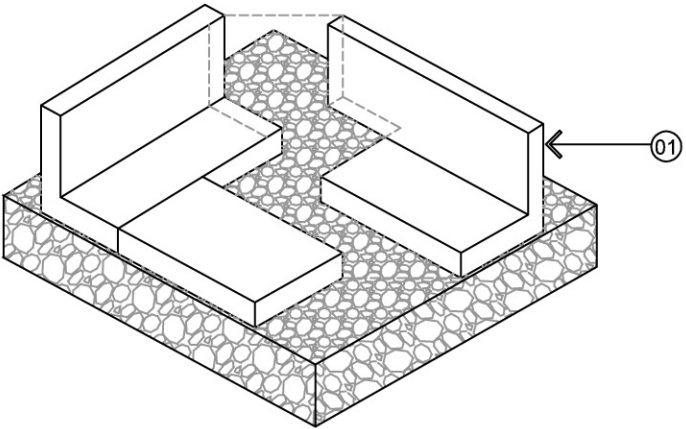
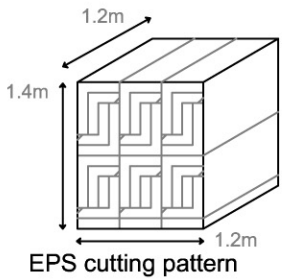
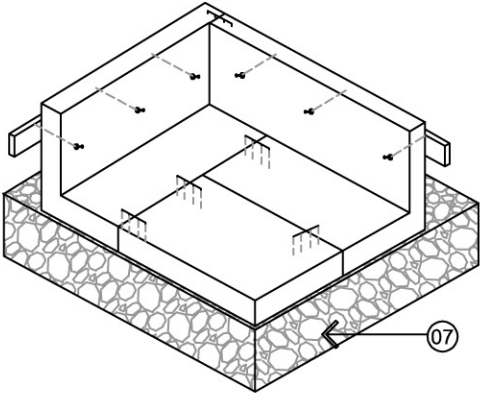
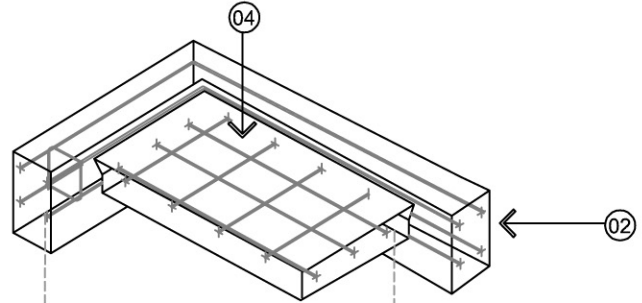


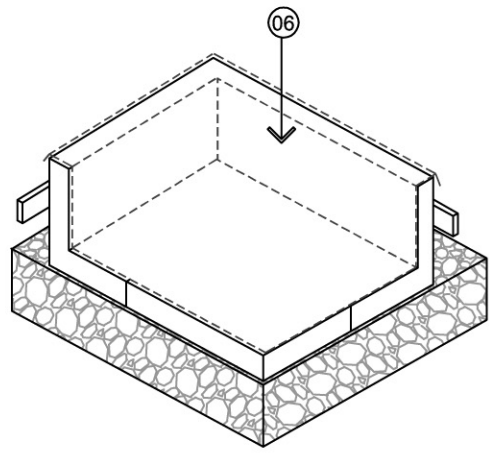
Fig. 8 of 8



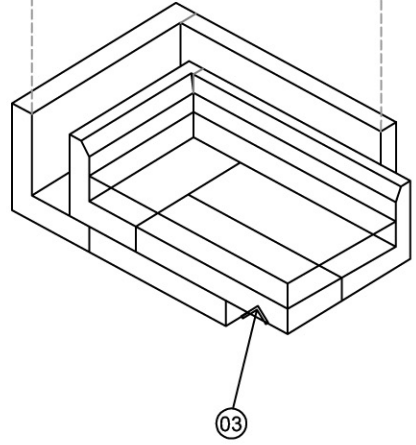
Step 1. Outer 'L' Assembly



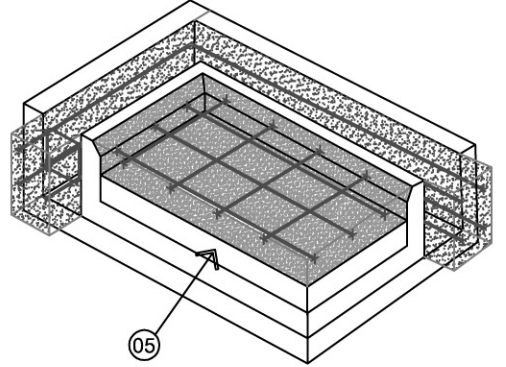
Step 2. FIXING



Step 3. RADON LAYER



Step 4. Inner 'L' Assembly



Step 5. reinforcing and pour concrete