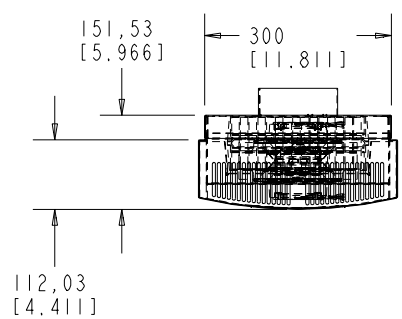
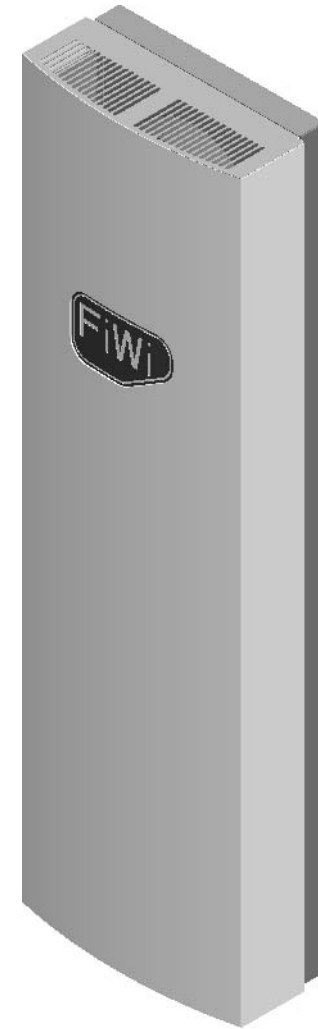
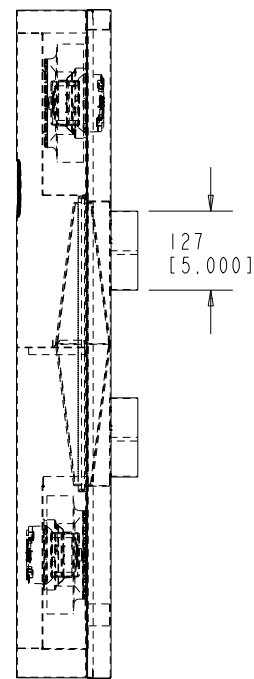
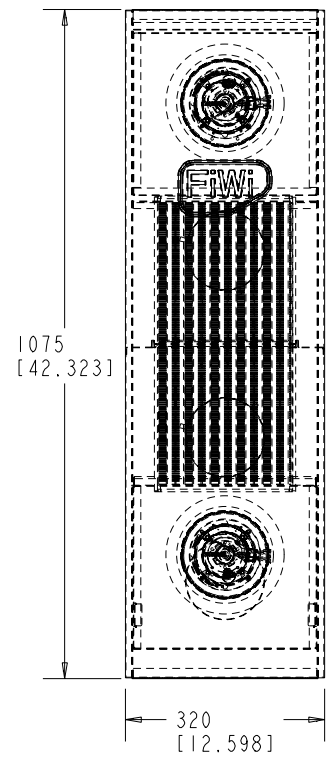


AUBREN MFG. NOTES				REV.	EC #	REVISION DESCRIPTION	DATE	D.ENG.	CHECKER
1   N/A				A	N/A	INITIAL PROTOTYPE RELEASE	27-May-11	ROC	XXX



112,03  
[4.411]



SCALE 0.140

**PRELIMINARY**  
NOT FOR RELEASE

<b>AUBREN LTD. DISCLOSURE</b> THIS DOCUMENT IS THE PROPERTY OF AUBREN LTD. ITS USE IS AUTHORIZED BY AUBREN LTD. ONLY. ALL QUESTIONS MUST BE REFERRED TO AUBREN LTD. PERSONNEL: DESIGN ENG., MFG.ENG., AND / OR PURCHASING.  <b>CAUTION:</b> ANY PRINTED COPY IS UNCONTROLLED AND TO BE USED FOR REFERENCE ONLY. REFER TO AUBREN LTD. CAD SYS. FOR VERIFICATION.  <small>Form No. 1001 Rev. A</small>		MATERIAL: N/A FINISH: N/A IF APPLICABLE PLACE SECOND FINISH AND DESCRIPTION HERE ALL INNER BEND RADIUS = 1mm BOTTOM BEND UNLESS OTHERWISE STATED TOLERANCES, UNLESS OTHERWISE STATED: DECIMAL .XXX ± .020 HOLES .XXX ± .003 TOLERANCES FOR CNC FLAT .XXX EXCLUDING HOLE DIA. +/- .010 TOLERANCE .XX ± .030 ANGLES ± 1° REF	BEND DEDUCTION N/A COSMETICS PER AUBREN LTD SPEC-0 SEE CAD FOR DIMS. NOT SHOWN BREAK ALL SHARP EDGES ALL DIMENSIONS ARE IN INCHES	PART NO. EG2R-230-190-04 TITLE FIWI HRV UNIT FIRST USED ON EG2R-230-190-04 DESIGN ENG. ROC ORIG. DATE 27-May-11 E# VH		REVISION A SHEET 1 of 1
---------------------------------------------------------------------------------------------------------------------------------------------------------------------------------------------------------------------------------------------------------------------------------------------------------------------------------------------------------------------------------------------------------------------	--	----------------------------------------------------------------------------------------------------------------------------------------------------------------------------------------------------------------------------------------------------------------------------------------------------------------------------------------------	-----------------------------------------------------------------------------------------------------------------------------------------------	--------------------------------------------------------------------------------------------------------------------------------------	--	----------------------------